

U_CPU
CPU.SchDoc



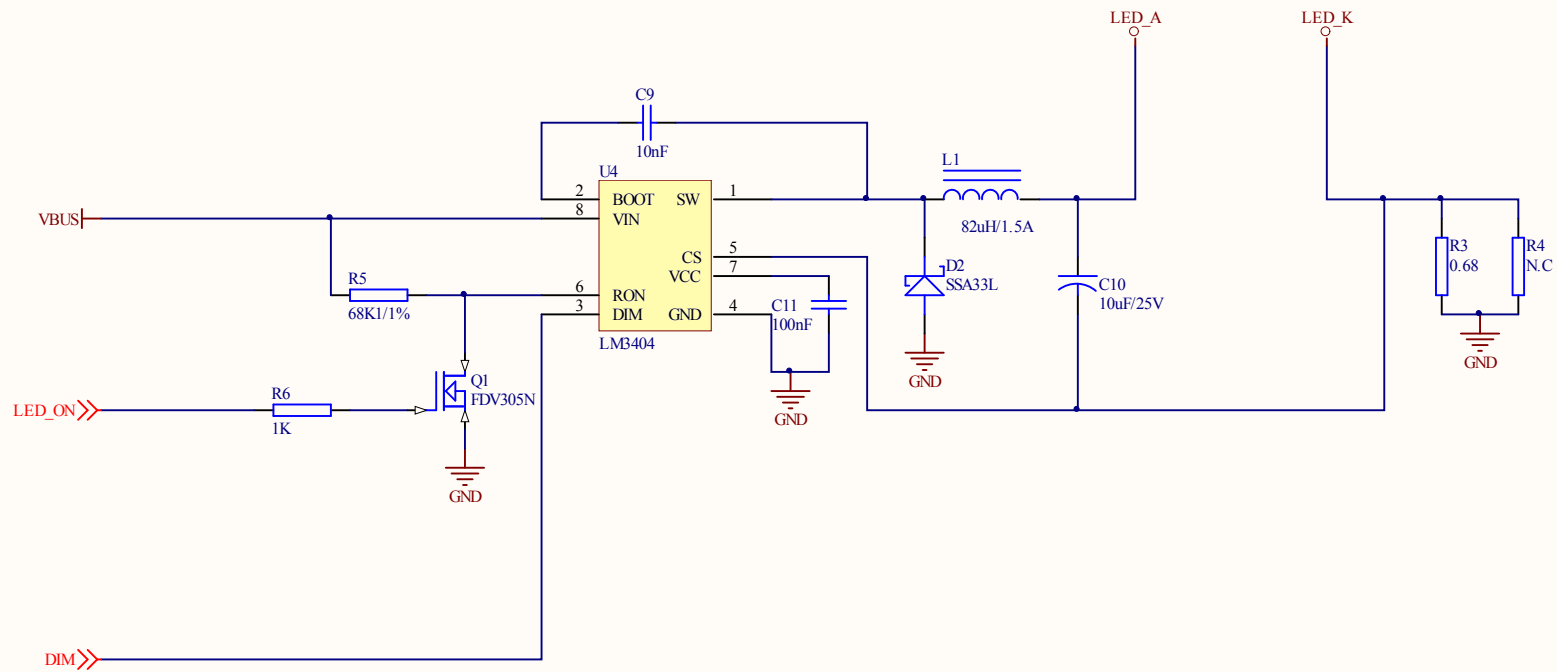
U_moonlight
moonlight.SchDoc



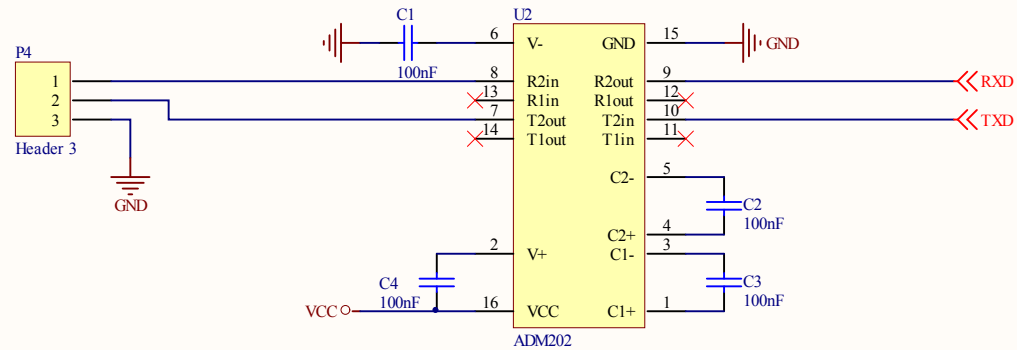
U_Serial
Serial.SchDoc



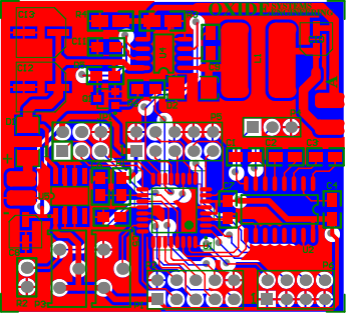
Title		
Size A4	Number	Revision
Date:	10/11/2009	Sheet of
File:	J:\PCB\Angelo\Moonlight\Master.SchDoc	Drawn By:



Title			MoonLight Controller - Current source		
Size	Number	Revision			
A4		A			
Date:	10/11/2009	Sheet	of		
File:	J:\PCB\...\moonlight.SchDoc	Drawn By:	A.BROUSALIS		



Title		
MoonLight Controller - Serial interface		
Size	Number	Revision
A4		A
Date:	10/11/2009	Sheet of
File:	J:\PCB\Angelo\Moonlight\Serial.SchDoc	Drawn By: A.BROUSALIS



Bill of Materials

<Parameter Title not found>

Source Data From: moonlight.PrjPcb
 Project: moonlight.PrjPcb
 Variant: None

Creation Date: 10/11/2009 10:34:51 µµ
 Print Date: 40127 40127,94092

Footprint	Comment	LibRef	Designator	Description	Quantity	
0805U	100nF	CAP	C1, C2, C3, C4	100nF multilayer 0805	4	
0805	10nF	CAP	C5		1	
0805	100nF	100nF, CAP	C6, C7, C11		3	
CAP_SMD_B	10uF/25V	CAPACITOR	C8, C10		2	
0805U	10nF	CAP	C9	EEEHC1C101XP - CAPACITOR, ELECTROLYTIC, 16V,	1	
CAP_SMD_D	100uF/16V	CAPACITOR	C12, C13		2	
do-213	SSA33L	DIODE SCHOTTKY	D1, D2	VISHAY - SSA33L - DIODE, SCHOTTKY, 3A, 30V	2	
IDC6	HEADER 3X2	HEADER 3X2	JP1	Header, 5-Pin, Dual row	1	
BOURNS_S	82uH/1.5A	INDUCTOR	L1		1	
DR1006		IRON				
VR6	10K	POT1	P1		1	
HDR2X5	Header 5X2	Header 5X2	P2, P5	Header, 3-Pin	2	
VR6	POT1	POT1	P3		1	
HDR1X3	Header 3	Header 3	P4	Header, 4-Pin, Dual row	1	
HDR2X4	Header 4X2	Header 4X2	P6		1	
sot-23	FDV305N	FDV305N	Q1	FDV305N 20V N-Channel PowerTrench MOSFET	1	
0805	10R	RES2	R1	8-Bit AVR Microcontroller with 8K Bytes of In-System Programmable Flash Memory	1	
rad0.1	LDR	RES2	R2		1	
1206U	0.68	RES2	R3		1	
1206U	N.C	RES2	R4		1	
0805	68K1/1%	RES2	R5		1	
0805	1K	RES2	R6		1	
32A_N	ATmega8L-8AI	ATmega8L-8AI	U1		1	
SOJ-16	ADM202	ADM202	U2		ADM202 CMOS RS232 Drivers/Receivers	1
SO-8	LM3404	LM3404MA	U4		1.0A Constant current Buck regulator	1
D008	µA78L05CDR	µA78L05CDR	U5		Positive-Voltage Regulator	1
					34	

Approved	Notes